

GHH RAND®

CF90LG3 – Oil-Injected Screw Compressor Airend

The CF90LG3 is a single stage oil-injected screw compressor airend with an integrated gear drive, which can be used for general industrial applications.

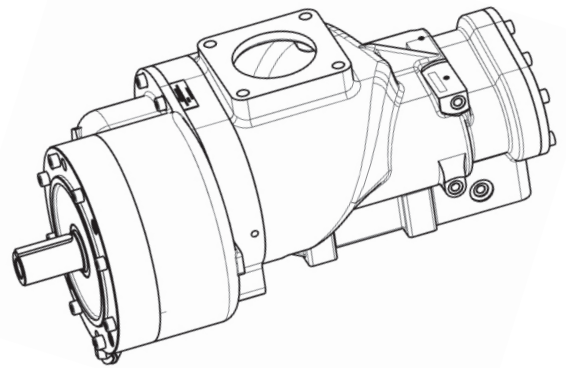
Operating Range

Parameters	Units	Min	Max
Power	kW / hp	12.3/16.6	104.7/140.4
Discharge Pressure, abs.	bar / psi	6 / 87	11.5 / 166.8
Volume Flow	m ³ /min / cfm	2.6 / 91	12.6 / 446

Medium: Air, Inlet temp. 20°C/68°F, Discharge temp. 80°C/176°F, Inlet pressure 1 bar(a)/14.5 psi(a), RH: 60%

Technical Data

Parameters	Units	Data
Length	mm	630
Width	mm	357.5
Height	mm	267.5
Weight	kg	115
Inlet DN	mm	100
Outlet DN	mm	80



GHH RAND recommends:



- Maximize life and efficiency with Primecool or Primecool Plus (food grade)
- Ask your sales rep. for details

Ingersoll-Rand Trading GmbH
Max-Planck-Ring 27 • 46049 Oberhausen • Germany
Phone +49 (0) 208 9994-0 • Fax +49 (0) 208 9994-111
industrial-sales@ghhrand.com • www.ghhrand.com