

# GHH RAND®

## CF180G2 – Oil-Injected Screw Compressor Airend

The CF180G2 is a single stage oil-injected screw compressor airend with an integrated gear drive, which can be used for general industrial applications.

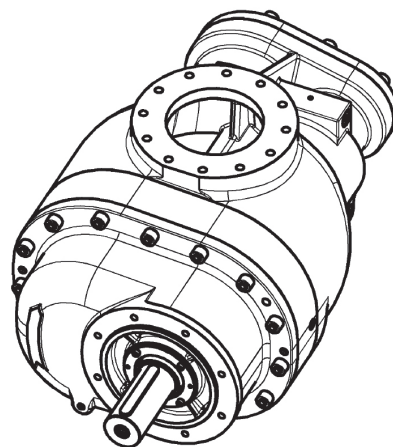
### Operating Range

Parameters	Units	Min	Max
Power	kW / hp	40 / 53.6	385.3/516.7
Discharge Pressure, abs.	bar / psi	6 / 87	16 / 232
Volume Flow	m <sup>3</sup> /min / cfm	8.1 / 287	41.4/1461.5

Medium: Air, Inlet temp. 20°C/68°F, Discharge temp. 80°C/176°F, Inlet pressure 1 bar(a)/14.5 psi(a), RH: 60%

### Technical Data

Parameters	Units	Data
Length	mm	1131
Width	mm	628
Height	mm	535
Weight	kg	783
Inlet DN	mm	200
Outlet DN	mm	150



### GHH RAND recommends:



- Maximize life and efficiency with Primecool or Primecool Plus (food grade)
- Ask your sales rep. for details

**Ingersoll-Rand Trading GmbH**  
Max-Planck-Ring 27 • 46049 Oberhausen • Germany  
Phone +49 (0) 208 9994-0 • Fax +49 (0) 208 9994-111  
industrial-sales@ghhrand.com • www.ghhrand.com